

## DOZER LASER CONTROL



### Easy to use, advanced grade control

- Smooth, consistent hydraulic response
- Most advanced graphical control box
- Precise laser control
- 100% slope control
- Single or dual mast systems

## It's time.

Topcon's 2D dozer laser systems represent a giant leap in dozer grade control. Completely user friendly, user definable and upgradeable, they're flexible enough to apply to even the most difficult jobs. System V laser control featuring the TM-1 mm adjustable electronic telescopic mast and smooth, consistent hydraulic response – fully upgradeable to Topcon's 3DMC GPS+ dozer control forms the platform for complete automatic dozer control.

The laser control system includes a 100% slope sensor to measure the blade's slope, in case one laser receiver is used. When using two masts and two laser receivers the slope sensor is not needed. The laser plane itself will present the wanted slope and elevation to the operator via indicator lights or even send corrections directly to the machine's hydraulics.

With 2D dozer laser control, you'll eliminate over cutting and control material usage saving you time and money. With these systems the operator is really in control. Slope, elevation, speed and efficient.

Typical automatic dozer control can be done in different ways, depending on the application. A dual laser set up is very common, allowing the machine to fine grade quickly large areas. Another set up for a dozer would be to use a slope sensor and one laser receiver.

### Pick a reference

2D gives you the flexibility to use reference to work from: existing surface, a point, a previous cut, a predefined slope or a rotating laser. It's simple as switching on a laser.

## A combination of reliable, ruggedized components, unmatched innovation and performance.



### Control box

- Proportional valve control
- Graphical LCD display
- Smooth, consistent hydraulic response



### Laser receiver

- Indicate
- Automatic
- 360 degree



### TM-1

- Electric telescopic mast
- Shockproof design
- mm adjustable



### Laser transmitter

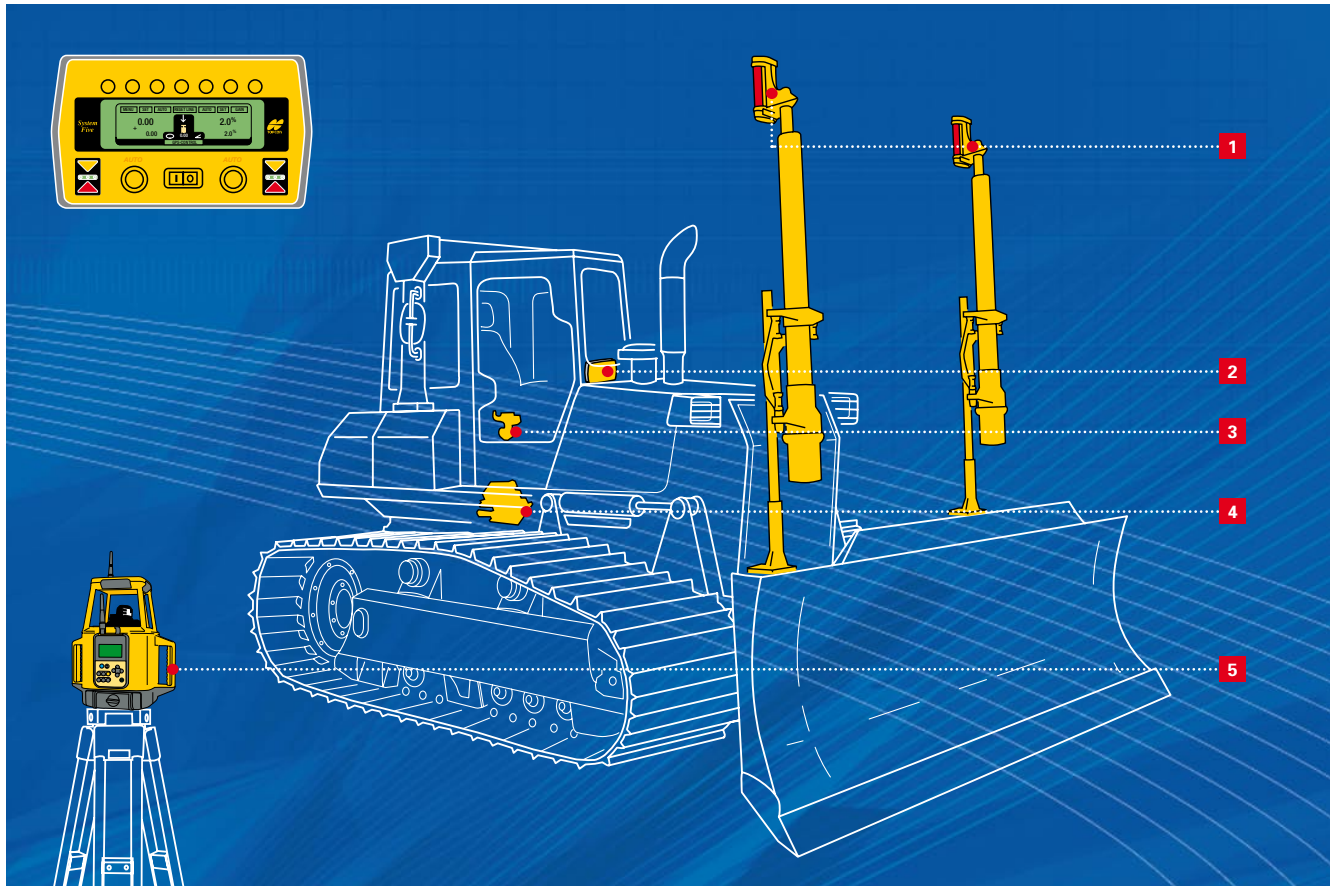
- Flat surface
- Single slope surface
- Dual slope surface
- 600 m in range

### 2D laser control – the system that grows as you grow

The System V 2D laser control platform offers a fully upgradeable solution to Topcon's industry leading 3DMC GPS+, mmGPS and LPS dozer systems. With the addition of GPS+ and software you'll realize the freedom and production that only the most advanced GNSS capabilities can bring as well as the usage of standard survey total stations.

## Topcon's laser dozer systems

Flexible, reliable, durable and easy to use. It's the most advanced indicate system, and everything you've come to expect from Topcon.



- |                           |                            |
|---------------------------|----------------------------|
| <b>1</b> Laser receiver   | <b>4</b> Hydraulic valve   |
| <b>2</b> 2D Control box   | <b>5</b> Laser transmitter |
| <b>3</b> Automatic switch |                            |



### Laser reference

A standard laser transmitter rotates up to 900 times per minute and sends out a constant laser beam. Each turn setting the job reference, either a flat or tilted plane.

The machine mounted laser receiver detects this beam and sets the blades reference with the same frequency. Imagine the speed this will give you to get to finished level!



**It's time.**

### The Leader in Positioning Technology...

Topcon offers positioning products that deliver unparalleled site-wide performance and integration. Topcon's history of technological advances and our reputation for superior reliability means there's no other company positioned to provide you with a better "Total Positioning Solution."

From survey to inspection Topcon, through our dealer network, provides the innovative technology that gives surveyors, civil engineers, contractors, equipment owners and operators the competitive edge by addressing such critical issues as increasing profits, quality craftsmanship, improving productivity, lowering operating costs and enhancing job site safety.



Full positioning integration field-to-finish: That's the goal of Topcon. When it's time for you to step up to the next level, it's time to turn to Topcon.

### The Leader in Customer Satisfaction...

To ensure that your Topcon instruments maintain peak performance, your local Topcon dealer offers factory trained and certified service technicians. If service isn't available in your area, our European Service Center offers a repair and return policy second to none.



Specifications subject to change without notice.  
©2009 Topcon Corporation. All rights reserved 02/2009

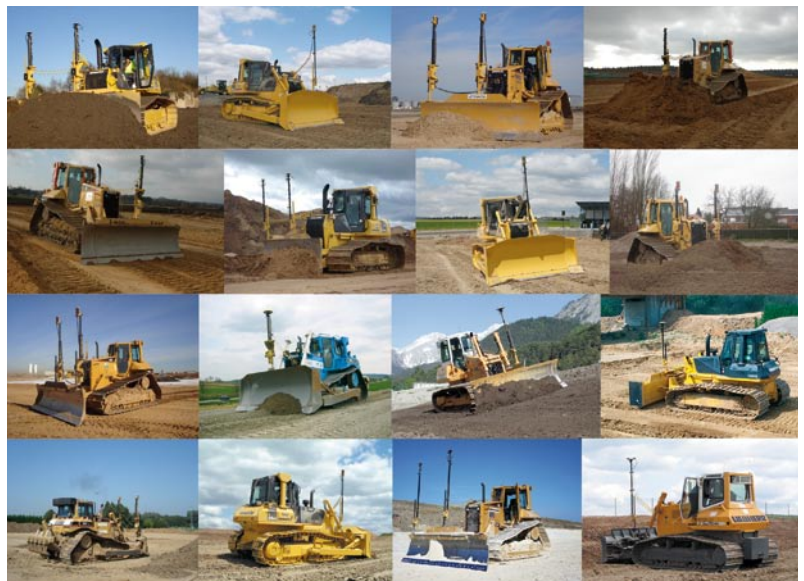


## Upgrade to 3D GPS+ or 3D LPS control

### When you're ready, upgrade your laser control to the most advanced 3DMC dozer system.

Experience the benefits of Topcon's satellite positioning based 3DMC GPS+ or standard robotic total station based 3DMC LPS dozer grade control. 3DMC provides all the advantages of satellite positioning technology and standard survey possibilities with the superior performance and usability of Topcon's standard machine control.

In addition to laser control, 3DMC features like complex designs, viewable blade position and increased safety, 3DMC enables the operator to "see" his machine's exact position within the site.



**TOPCON**  
www.topcon.eu

Your local authorised Topcon distributor is: